



Hardware for aluminium windows and doors

Marketed By



Alugrow Trading (Pvt) Ltd

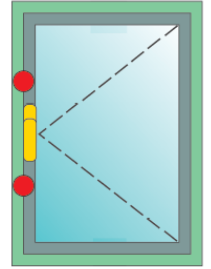
Kandana Showroom 0112237667 / 0773631203


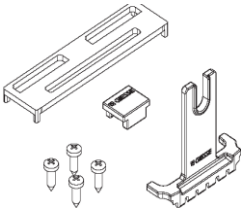

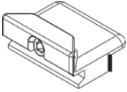
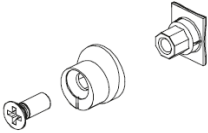

Panadura Showroom 0382235556 / 0773081340


Minuwangoda Showroom 0112296560 / 0779726062



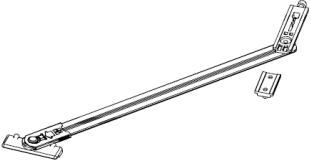
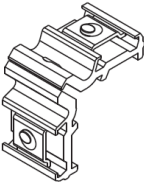
2 POINT LOCKING HARDWARE
CASEMENT OUTWARD OPENING WINDOW



Item Code	Description	Image	Qty.	Unit Price (LKR)	Total Price (LKR)
01150FFFN	UNICA CREMONE		1	-	-
02409000	FORK 45mm		1	-	-
04098000	ROD DRIVE 9.5mm		1	-	-
01343000K	FIXED STRIKER		2	-	-
04030000K	ADJUSTABLE PAWL		2	-	-
00120FFFU	FLASH BASE HINGE		2	-	-

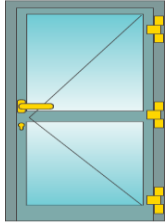
03524590N	POLYAMIDE ROD (15/20 GROOVE)		1 LM	-	-
Total					-

Additional Hardware:

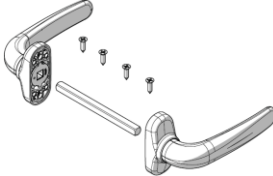
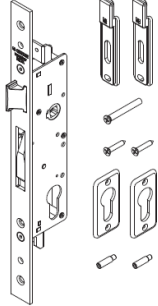
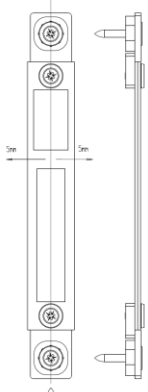
Item Code	Description	Image	Qty.	Unit Price (LKR)	Total Price (LKR)
02030000K	FRIZ LIMIT. ARM		1	-	-
00357000	CORNER JOINT		8	-	-
Total					-

Notes:

- ❑ FFF = Colour of the Hardware, Example; 01150500N is RAL - 9005 (Black) or 01150410N is RAL - 9010 (White).
- ❑ The weight carrying capacity of 00120 - FLASH BASE HINGE is 75 Kgs with 2 Hinges and 85 Kgs with 3 Hinges.
- ❑ All hardware performance are subject to compatibility with Aluminum profiles.

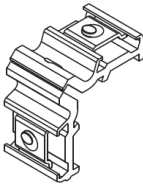


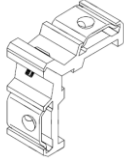
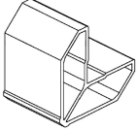
SINGLE PANEL HINGED DOOR HARDWARE - BRIDGE HINGE

Item Code	Description	Image	Qty.	Unit Price (LKR)	Total Price (LKR)
02792FFF	PRIMA PLUS DOOR HANDLE		1	-	-
04627000	DOOR LOCKSET (30mm)		1	-	-
04640000	COUNTER PLATE		1	-	-

04492000	CYLINDER		1	-	-
07058000N	COVER FOR CYLINDER		1	-	-
01343000K	FIXED STRIKER		2	-	-
04030000K	ADJUSTABLE PAWL		2	-	-
00600FFFN	BRIDGE 2 HINGE		2	-	-
03524590N	POLYAMIDE ROD (15/20 GROOVE)		2 LM	-	-
				Total	-

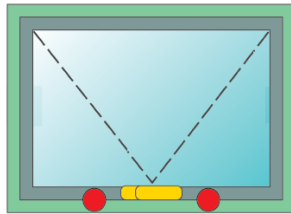
Additional Hardware:

Item Code	Description	Image	Qty.	Unit Price (LKR)	Total Price (LKR)
00357000	CORNER JOINT FRAME		4	-	-


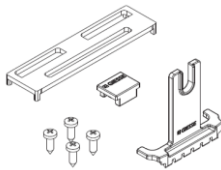

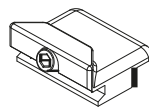

00348000	CORNER JOINT FOR SASH		2	-	-
00349000	PACKING FOR 0034800		2	-	-
				Total	-


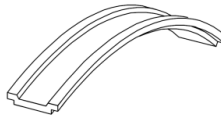
Notes:

- ❑ FFF = Colour of the Hardware, Example; 02792500 is RAL - 9005 (Black) or 02792410 is RAL - 9010 (White).
- ❑ The weight carrying capacity of 00600 – BRIDGE 2 HINGE is 90 Kgs with 2 hinges and 100 Kgs with 3 hinges.
- ❑ All hardware performance are subject to compatibility with Aluminum profiles.


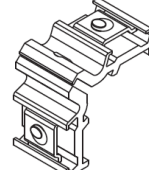


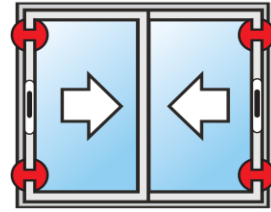
2 POINT LOCKING TOP HUNG HARDWARE

Item Code	Description	Image	Qty	Unit Price (LKR)	Total Price (LKR)
01150FFFN	UNICA CREMONE		1	-	-
02409000	EXT.OPEN.KIT UNICA SYSTEM SLIDES 45mm		1	-	-
0409800001	ROD DRIVE DEVICE - PIN 9.5mm		1	-	-
01343000K	FIXED STRIKER		2	-	-
04030000K	ADJUSTABLE PAWL		2	-	-


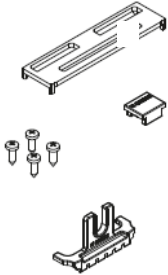


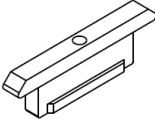

00600FFFN	BRIDGE 2 HINGE		2	-	-
03524590N	POLYAMIDE ROD (15/20 GROOVE)		1 LM	-	-
Total					-

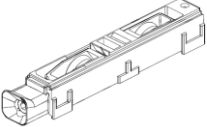
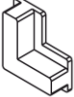
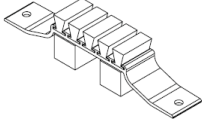

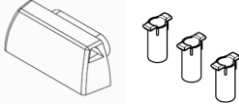

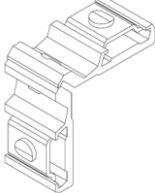
Additional Articles:

Item Code	Description	Image	Qty.	Unit Price (LKR)	Total Price (LKR)
08184000	SUPPORT ARMS 8" - TYPE L - COUPLE		1	-	-
00357000	CORNER JOINT		8	-	-
Total					-

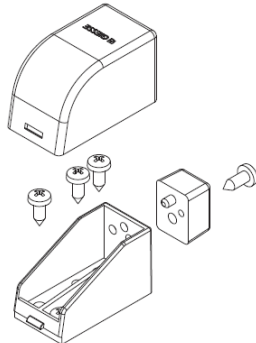


MULTI POINT LOCKING FOR SLIDING WINDOWS& DOORS
2 TRACK 2 SHUTTERS

Item Code	Description	Image	Qty.	Unit Price (LKR)	Total Price (LKR)
01150FFFN	UNICA CREMONE		2	-	-
02407000	EXTERNAL KIT FOR UNICA (20mm)		2	-	-
03345000	STRAIGHT NIB MISMO		4	-	-
03340000	NIB HOLDER MISMO		4	-	-
03327000	COUNTER PLATE		4	-	-
04027000K	FIXED PAWL		4	-	-

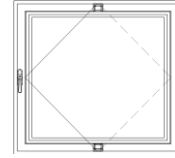
03120000	DOUBLE ADJUSTABLE PULLEY (4PCS)		1	-	-
01275000	CENTER-SASH PLUG		8	-	-
03491000	ANTIDUST PLUG		2	-	-
03479000	INTERLOCK MACHINING COVER		4	-	-
03149010	WATER DRAINAGE HOLE COVER		4	-	-
03524590N	POLYAMIDE ROD (15/20 GROOVE)		2 LM	-	-
00326000	CORNER JOINT for FRAME & SASH		12	-	-
				Total	-

Additional Hardware:

Item Code	Description	Image	Qty.	Unit Price (LKR)
02979FFF	SASH BLOCKING DEVICE		1	-


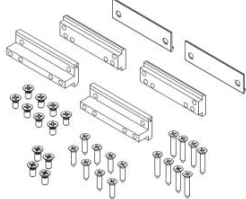

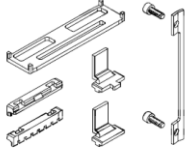
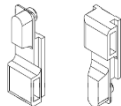
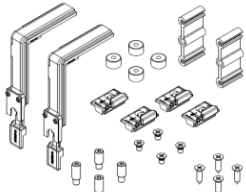


Notes:



- ❖ FFF = Colour of the Hardware, Example; 01150500N is RAL - 9005 (Black) or 01150410N is RAL - 9010 (White).
- ❖ Weight carrying Capacity of 03120 Pulley is 90 Kg Per Piece.
- ❖ All hardware performance are subject to compatibility with Aluminum profiles.



VERTICAL PIVOT OPEN - IN HARDWARE (7 Point Locking)

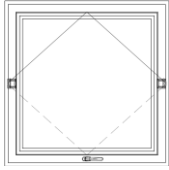
Dimension: 1000mm(W) X 1800mm(H)

Item Code	Description	Image	Qty	Unit Price (LKR)	Total Price (LKR)
01459FFF	TECH PIVOT		1	-	-
01420000	PLATES FOR TECH PIVOT		1	-	-
01150FFF	UNICA CREMONE		1	-	-
04080000	INTERNAL OPENING KIT UNICA		1	-	-
02387010	CONNECTION BLOCKS (PAIR)		1	-	-
02197000K	PERIMETER LOCKING KIT		1	-	-
04030000K	ADJUSTABLE PAWL		3	-	-
01353000K	ADJUSTABLE SINGLE STRIKER		3	-	-

04020000K	CORNER TRANSMISSION		1	-	-
03524590N	POLYAMIDE ROD (15/20 GROOVE)		2 LM	-	-
Total					-


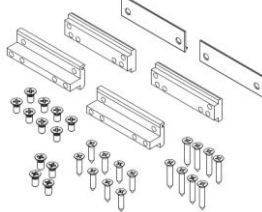
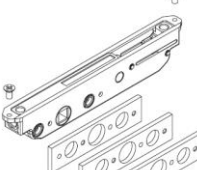
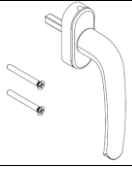
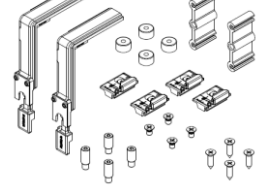


Notes:



- FFF = Colour of the Hardware, Example; 01150500 is RAL - 9005 (Black) or 01150410 is RAL - 9010 (White).
- All hardware performance are subject to compatibility with Aluminum profiles.



HORIZONTAL PIVOT OPEN - OUT HARDWARE (7 Point Locking)

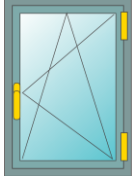
Dimension: 1000mm(W) X 1800mm(H)

Item Code	Description	Image	Qty.	Unit Price (LKR)	Total Price (LKR)
01459FFF	TECH PIVOT		1	-	-
01420000	PLATES FOR TECH PIVOT		1	-	-
01026000	TWO-DIRECTIONAL INTERNAL DEVICE		1	-	-
02484FFF	PRIMA WINDOW HANDLE		1	-	-
02197000K	PERIMETER LOCKING KIT		1	-	-
04030000K	ADJUSTABLE PAWL		3	-	-
01353000K	ADJUSTABLE SINGLE STRIKER		3	-	-

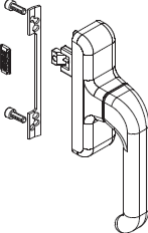
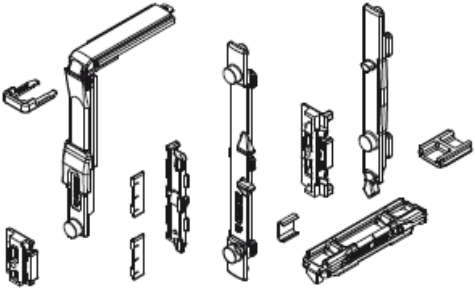
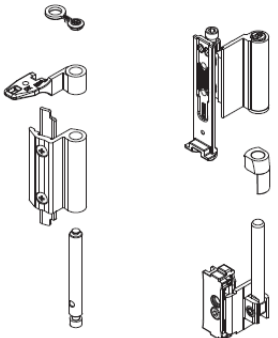
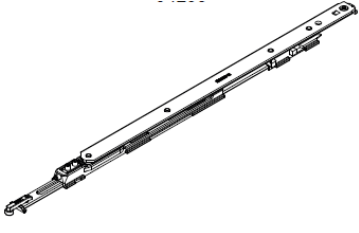
04020000K	CORNER TRANSMISSION		1	-	-
03524590N	POLYAMIDE ROD (15/20 GROOVE)		2	-	-
				Total	-

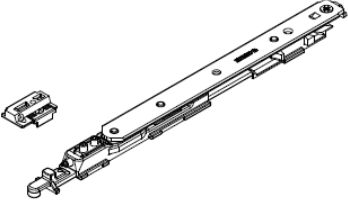
Notes:

- ❑ FFF = Colour of the Hardware, Example; 01150500 is RAL - 9005 (Black) or 01150410 is RAL - 9010 (White).
- ❑ All hardware performance are subject to compatibility with Aluminum profiles.

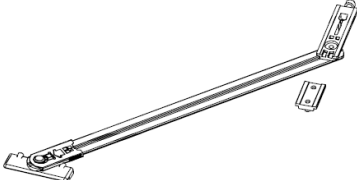
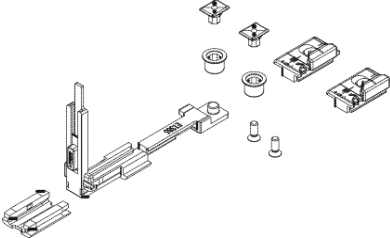
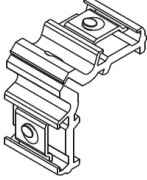


TILT & TURN HARDWARE

Item Code	Description	Image	Qty	Unit Price (LKR)	Total Price (LKR)
01090FFF	EURO CREMONE		1		
04704000	MECHNISM		1		
04711FFF	HINGE		1		
04201000	ARM TYPE - 2		1		
OR					

04284000	ARM TYPE - 1		1	2,900.00	2,900.00
				Total	-

Additional Hardware:

Item Code	Description	Image	Qty.	Unit Price (LKR)	Total Price (LKR)
02030000 K	FRIZ LIMIT. ARM		1		
04770000 K	ADDITIONAL CLOSING		1		
00357000	CORNER JOINT		8	-	-
				Total	-

Notes:

- ❑ FFF = Colour of the Hardware, Example; 01090500 is RAL - 9005 (Black) or 01090410 is RAL - 9016 (White).
- ❑ All hardware performances are subject to compatibility with Aluminum profiles.